

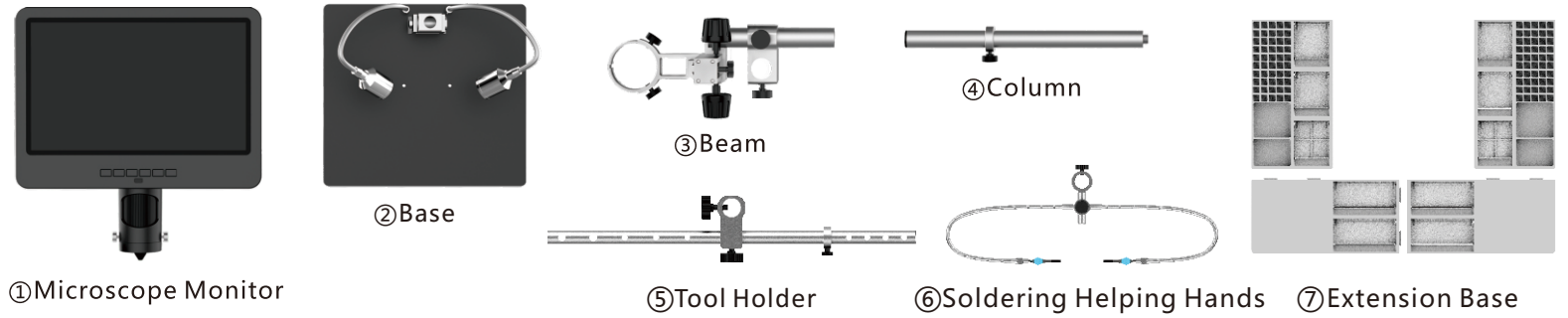
# Components list

Thank you for choosing our products. Please read the assembly steps and user manual carefully before use.

If you have any problems with the use and assembly, please feel free to contact us.

We will reply within 24H (there may be a delay on holidays). We appreciate the opportunity to serve you,

Your satisfaction is our utmost priority!



## Assembly steps

**Step 1**

Assemble ④ to ②.

**Step 2**

Assemble ⑥ to ④ and tighten the screws.

**Step 3**

Assemble ⑤ to ④ and tighten the screws.

**Step 4**

(4.1) Assemble ③ to ④.      (4.2) Tighten the screws.

**Step 5**

Unscrew the screws and remove the lens.  
\*Be careful not to drop the lens.

**Step 6**

(6.1) Insert the Protrusion into the slot.      (6.2) Assemble the lens and tighten the screws.

**Step 7**

Please follow the diagram to assemble ⑦.

**Step 8**

When observing with lens D, slot in the DC power supply.